

VENTLOK

ACCESS DOOR HARDWARE

VENTFABRICS
I N C O R P O R A T E D

5520 North Lynch Ave. • Chicago, IL 60630
(800) 621-1207 • 773-775-4477 • Fax: 773-775-5065
www.ventfabrics.com

VENTLOK LATCHES

100 VENTLOK LATCH

This latch, made of a non-corrosive alloy of zinc and aluminum, is designed for use on small sheet metal access doors and panels. *Weight per 100: 19 lbs. Available in plain finish or chrome plated.*

102 VENTLOK LATCH

This latch, an adaptation of our 100 Latch, is designed for use on doors made with a single metal panel. The stamped metal escutcheon gives the latch support so that when it is used on a single sheet of metal, there is little or no "play". *Weight per 100: 21 lbs.*

140 VENTLOK LATCH

This latch, similar to our 100 Latch, is larger and heavier. The stud is long enough to accommodate a door up to 2" thick. It comes complete with steel and sponge rubber washers to ensure easy turning and prevent leakage. *Weight per 100: 50 lbs.*

202 VENTLOK LATCH

This latch, identical in size to our 140 Latch, is equipped with an inside handle so that it can be operated from both inside and outside the duct. *Weight per 100: 52 lbs. Available in plain finish or chrome plated.*

220 VENTLOK DOOR PULLS

These heavy diecast door pulls are cast from the same non-corrosive metal as our latches and designed for use on sheet metal doors. *Weight per 100: 12 1/2 lbs. Available in plain finish or chrome plated.*

222 VENTLOK TAMPER PROOF LATCH

So many requests have been received for a latch with a locking handle that we are glad to make available a handle to fill this need. This diecast latch, with a 3/8" steel stud can be used on doors made from a single metal panel, as well as on double-skinned doors containing up to 2" of insulation.

The handle rotates 90° and can be locked in either a horizontal or vertical position. The key can be removed in either the locked or unlocked position. One key is furnished with each latch, and all keys are identical, enabling maintenance and repairmen to unlock all doors with one key. *Weight per 100: 56 lbs.*

PROPOSED SPECIFICATIONS FOR CONSULTING ENGINEERS

"ACCESS DOORS – In low pressure systems, doors up to 16" X 24" in size shall be VENTLOK stamped insulated access doors. Larger doors and those for high pressure systems shall be fabricated with VENTLOK HARDWARE; Series 100 latches, hinges, and gasketing should be used on doors less than four square feet in area, Series 200 on doors from four to eight square feet, and Series 300 for larger doors."

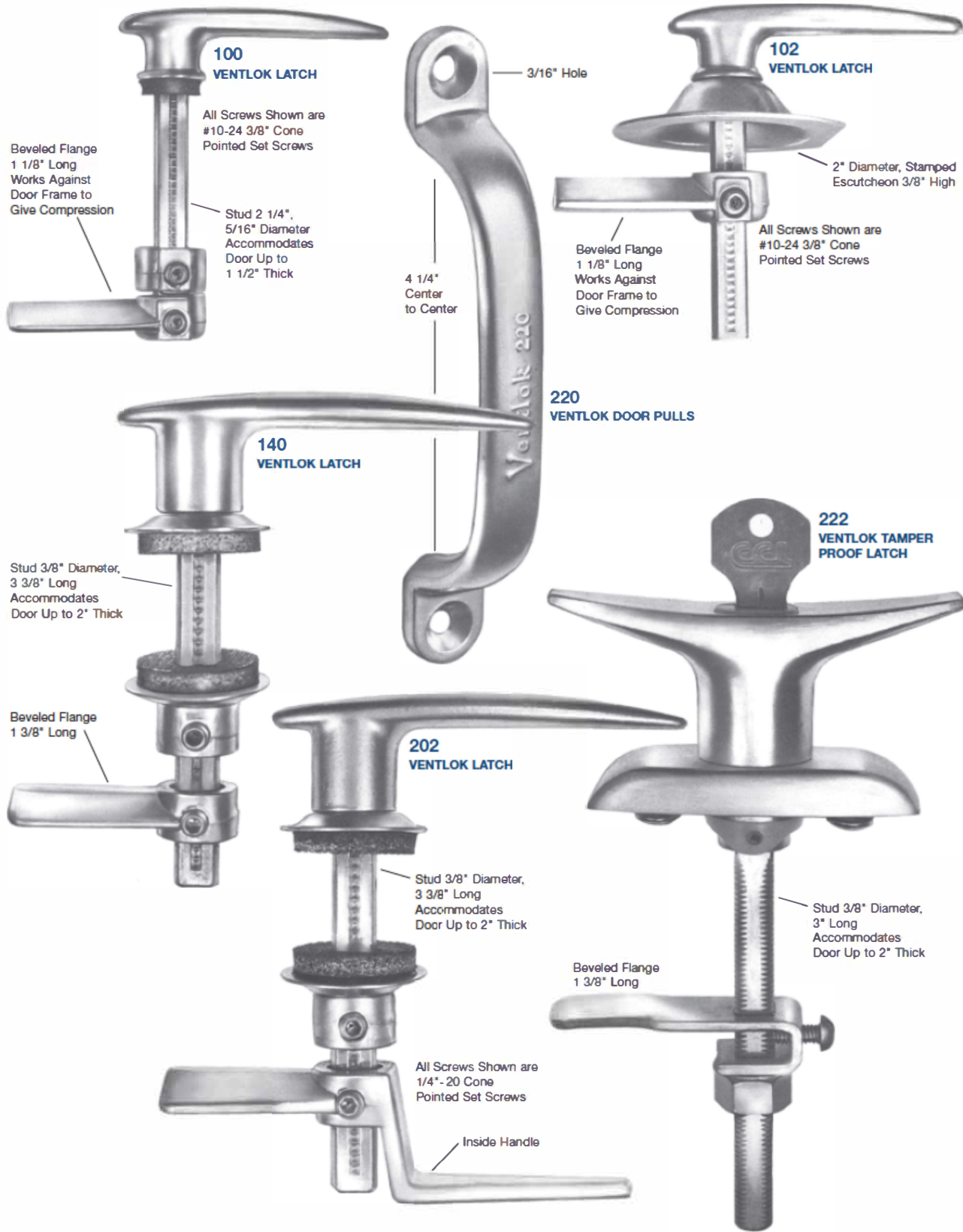
IMPORTANT INFORMATION

PRICES: All prices net – no discount – subject to change without notice.

FREIGHT: Prepaid on all orders of \$750.00 or more.

SAME-DAY SHIPMENT: To expedite delivery, all shipments are regularly made the same day orders are received. All materials listed are available from Chicago.

100% CASH GUARANTEE: Any of our products considered unsatisfactory for any reason may be returned for full credit or cash refund within 12 months from date of sale, if the material is returned in the same condition as received. This provision does not apply to special orders calling for items not listed in our catalogues.



VENTLOK LATCHES

260 VENTLOK LATCH

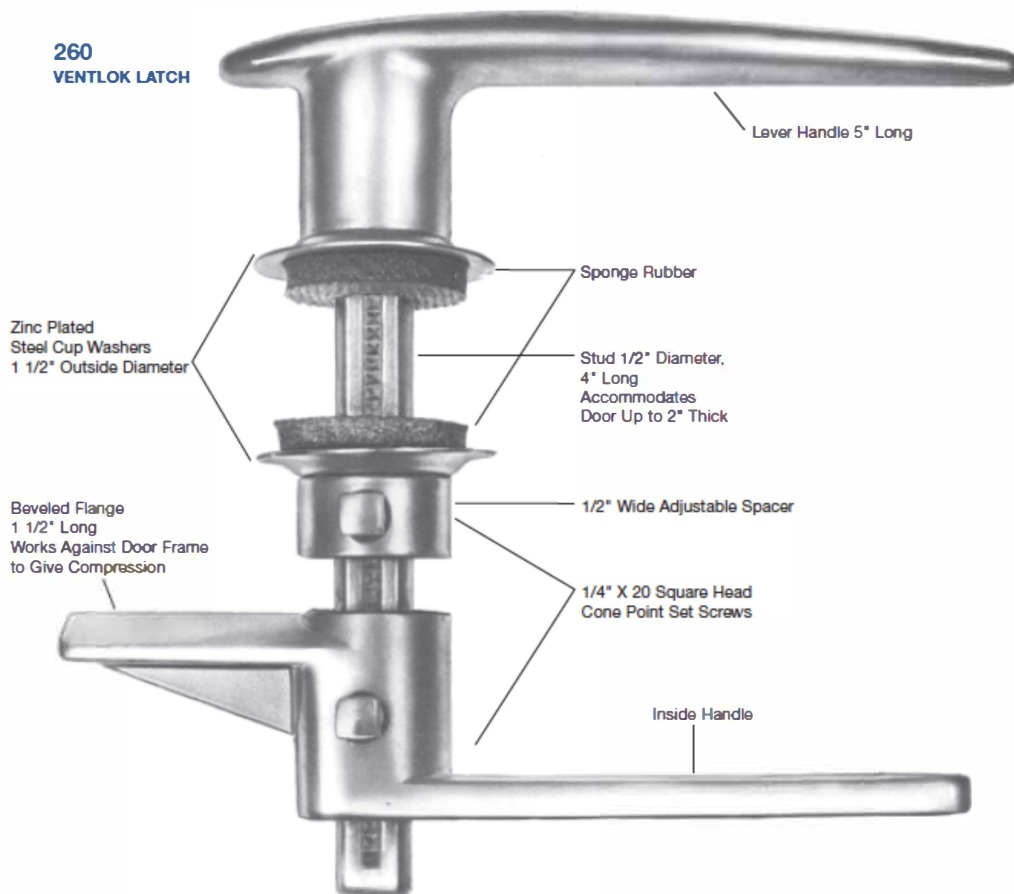
This latch is designed for walk-in access doors and can be operated from both inside and outside the duct. The latch is installed by drilling a hole in the door and is held in place by sliding the adjustable spacer up against the door pan and tightening the set screw. In the case of flush-type doors, the spacer is discarded, and the combination striker and handle will both hold the latch in place and lock the door when turned.

The stud on the 260 Latch is long enough to accommodate an insulated door up to 2" thick. It comes complete with steel and sponge rubber washers to ensure easy turning and prevent leakage.

All VENTLOK Latches are made of a rustproof alloy of zinc and aluminum. *Weight per 100: 110 lbs. Available in plain finish or chrome plated*

260A VENTLOK LATCH

This latch is ideal for a situation where an access door does not need to be opened from the inside. The inner casting has a 1-1/2" beveled flange and no inside handle. *Weight per 100: 100 lbs.*



APPROXIMATELY ACTUAL SIZE

VENTLOK HEAVY-DUTY LATCH

310 VENTLOK LATCH

This latch is designed for use on large doors in high pressure installations. The heavy 7" front lever and the sturdy door-pull against which it operates guarantee a tight closure. When in the closed position the lever compresses the door by 1/32".

Included with each latch is a zinc plated shim made from 18 gauge steel. This shim, if desired, can be used under the bearing plate to raise the level of the handle. Additional shims can be purchased separately.

This latch is available with a 4" or 6 1/2" stud. *Weight per 100: 200 lbs. Available in plain finish or chrome plated.*

310 DOOR PULLS ONLY

Although a 310 Door Pull regularly is furnished with each 310 Latch, extra door pulls are frequently needed and consequently they can be purchased separately. *Weight per 100: 36 lbs. Available in plain finish or chrome plated.*

310 DOOR PULLS ONLY WITH "STOP" REMOVED-CHROME PLATED ONLY

Some of our customers desire our 310 Door Pull with the protruding "STOP" removed. *Weight per 100: 36 lbs.*

310 SHIMS ONLY

Extra shims are sometimes needed to vary the compression of the latch or to accommodate it to certain types of doors. *Weight per 100: 6 lbs.*

